

Technical Details for Smart Series SPV Modules

Electrical Parameters at STC*

R SMART	RSMART 320	RSMART 325	RSMART 330	RSMART 335
Nominal Maximum Power P(max)	320	325	330	335
Voltage At Max Power Vmp (V)	38.46	38.5	38.4	38.5
Current At Max Power Imp (A)	8.38	8.45	8.63	8.71
Open Circuit Voltage - Voc(V)	45.81	46.61	46.62	46.65
Short Circuit Current Isc(A)	9.1	9	9.97	9
Module Efficiency %	16.45	16.59	16.9	17.1

* Under Standard Test Conditions (STC) of irradiance of 1000 W/m², spectrum AM 1.5 and cell temperature of 25°C.

Electrical Parameters at NOCT.(RSMART 330)

Nominal Maximum Power P(max)	249
Voltage At Max Power Vmp (V)	35.42
Current At Max Power Imp (A)	7.03
Open Circuit Voltage - Voc(V)	33.77
Short Circuit Current Isc(A)	8.46

Mechanical Parameters

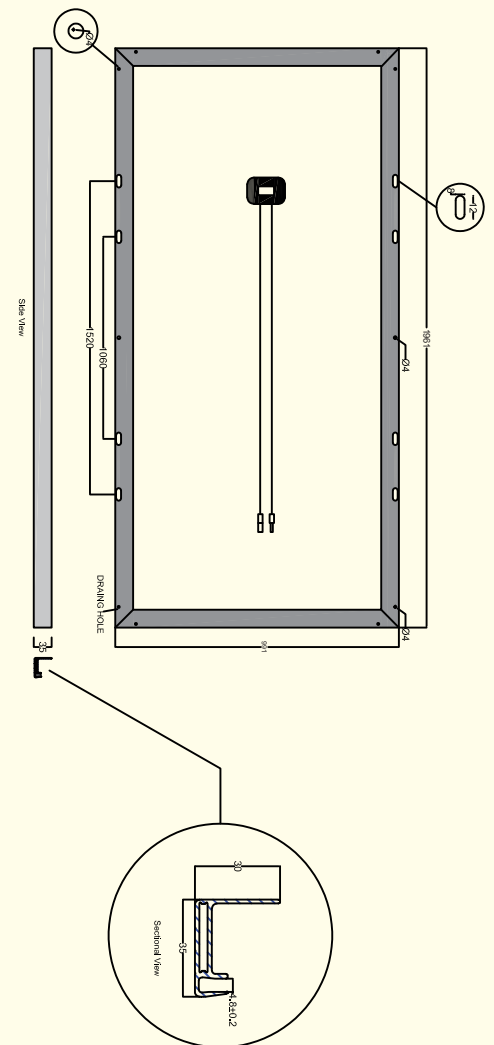
Dimension:	1960 x 990 x 35 mm
Cell:	72 Nos, 5bb Polycrystalline Si
Weight:	21 Kg
Front Cover:	ARC Coated Hi Transmission Tempered Glass
Frame Material:	Anodized Aluminium Alloy
J box:	IP 67
Connector:	MC4
Module Per Pallet:	25 Nos
Module Per Container (40HQ):	600 Nos

Temperature Parameters

Temperature Coefficient of Voltage Pmax	-0.3676 % / °C
Temperature Coefficient of Voltage Voc	-0.2726 % / °C
Temperature Coefficient of Voltage Isc	0.0237 % / °C
Nominal Module Operating Temperature °C	47 % / °C
Operating Temperature Range °C	-40 to + 85

Product Safety Ratings

Maximum System Operating Voltage	1500 V
Maximum Over Current Protection Rating	20A
Application Class	Class A
Safety Class	Class II



*** 10 Years**
Product Warranty

*** 25 Years**
Power Output Warranty

The aforesaid datasheet only provides the general information on Redren Solar PV Modules, due to the on-going innovation and improvement Specifications included in this datasheet are subject to change without notice. Please Confirm Your Exact Requirement with the Company While Placing Your Order. Redren Reserves the rights of final interpretation and revision of datasheet. Version: May 2019-03-01. *Terms & condition apply. Refer Redren Solar Warranty document for terms & condition.



REDREN ENERGY PRIVATE LIMITED

Survey No. 154/1, National Highway No. 27, Opp. Rangpar Bus Stop,
Village-Jalida, Tal. Wankaner, Dist. Morbi-363 621 (Gujarat) INDIA

www.redren.in

Follow us:

Ph : +91 9925 9925 52 | E-mail : info@redren.in | Web : www.redren.in